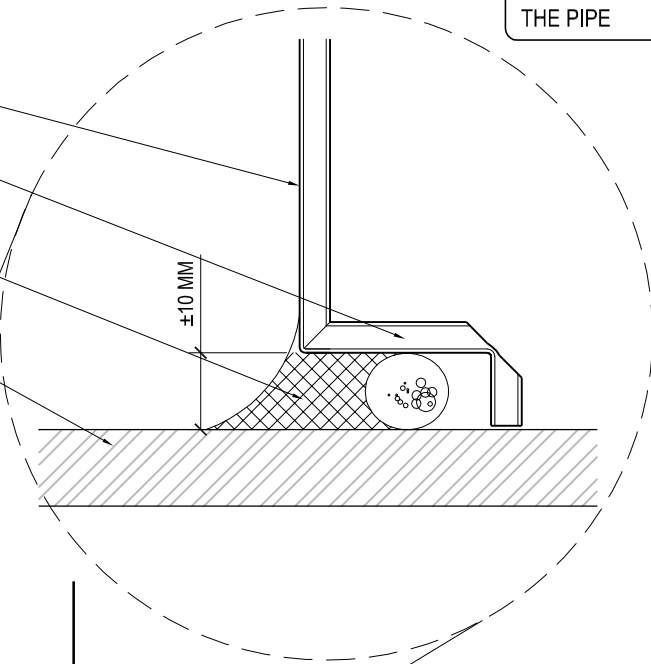


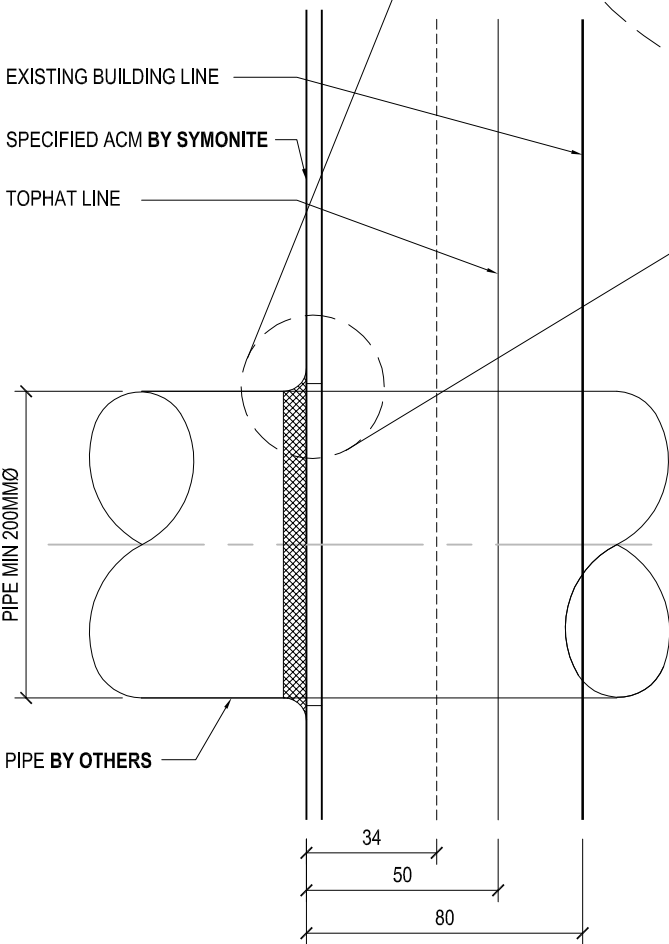
ROUT AND RETURN SYSTEM

NOTE
THIS DETAIL CAN ONLY BE USED WHERE THE PANEL CAN BE SLID OVER THE PIPE

- SPECIFIED ACM BY SYMONITE
- SERRATED STANDARD ACM LEG BY SYMONITE
- SEALANT ON PEF ROD BY SYMONITE
- PIPE BY OTHERS

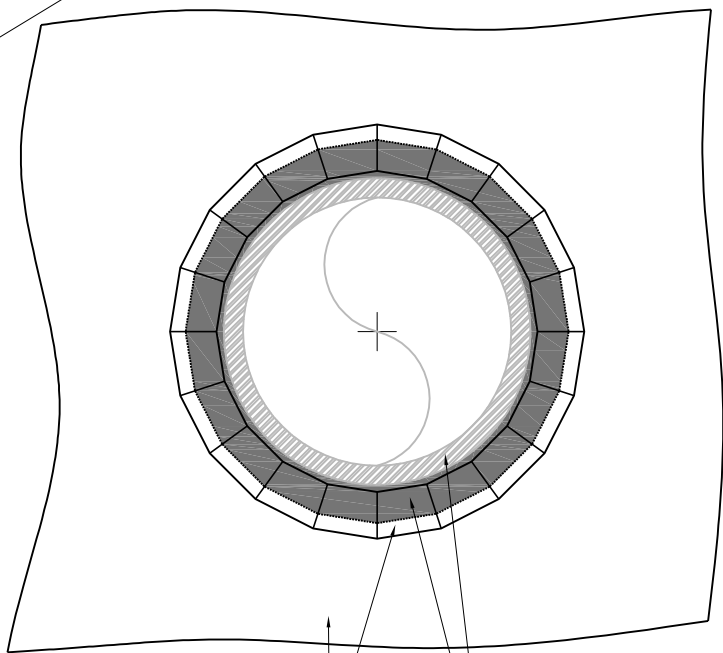


- EXISTING BUILDING LINE
- SPECIFIED ACM BY SYMONITE
- TOPHAT LINE



PIPE BY OTHERS

OUTSIDE SIDE ELEVATION INSIDE



- SPECIFIED ACM BY SYMONITE
- SERRATED STANDARD ACM LEG BY SYMONITE
- PIPE BY OTHERS
- SEALANT ON PEF ROD BY SYMONITE

BACK ELEVATION



DRAWING TITLE	DRAWING STATUS
STANDARD PENETRATION (Minimum of 200 mm Ø)	ARCHITECTURAL RESOURCE
	SCALE: 1:2

SHEET NO.	ISSUE
35	A
DATE: DECEMBER 2014	