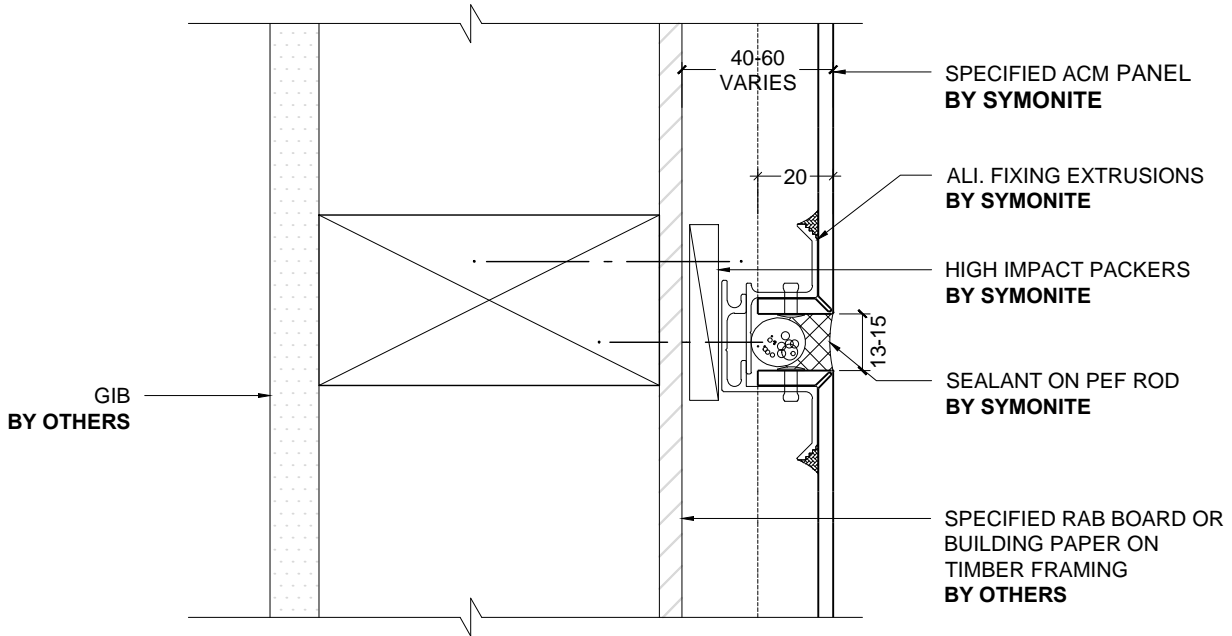
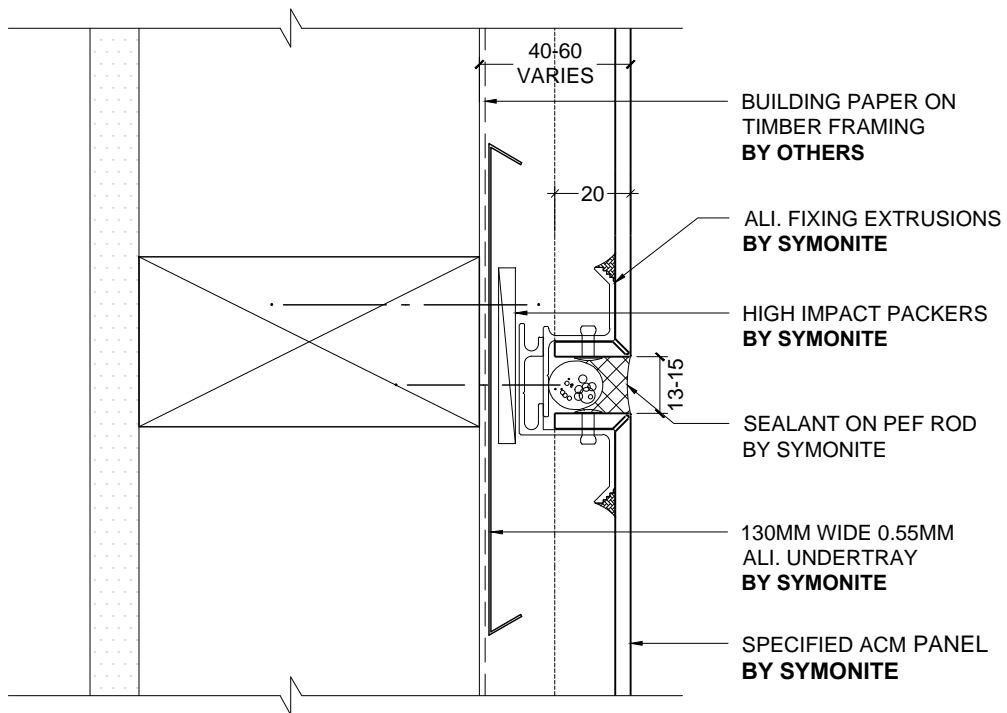


ALUMINIUM COMPOSITE CLADDING SYSTEM



1 TYPICAL VERTICAL JOINT
- 1:2 @ A4



2 TYPICAL VERTICAL JOINT ON BUILDING PAPER
- 1:2 @ A4

NOTE: TIMBER FRAMING BY OTHERS TO BE AT 600 CTRS MAX FOR BOTH STUDS & NOGS. MAY BE REQUIRED AT CLOSER CENTERS SUBJECT TO ENGINEERING REQUIREMENTS