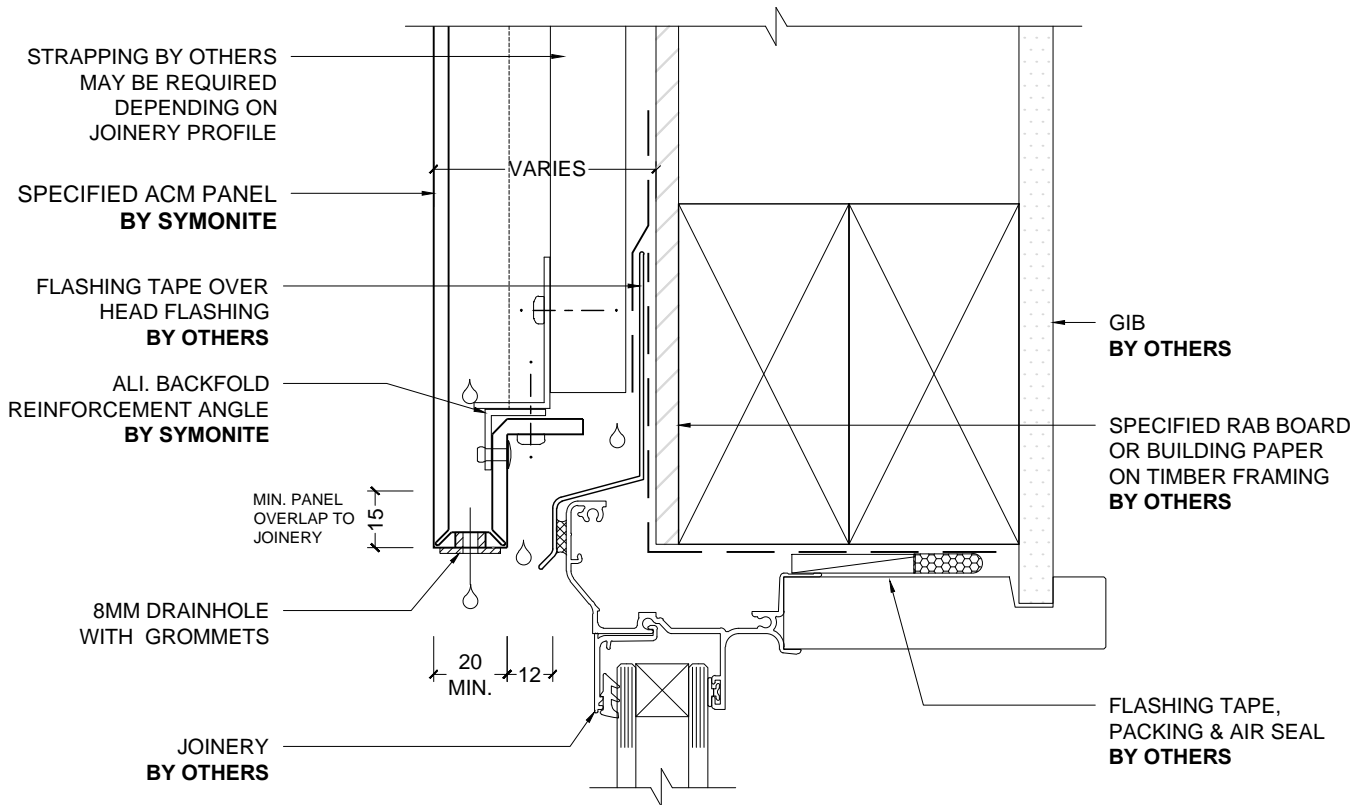
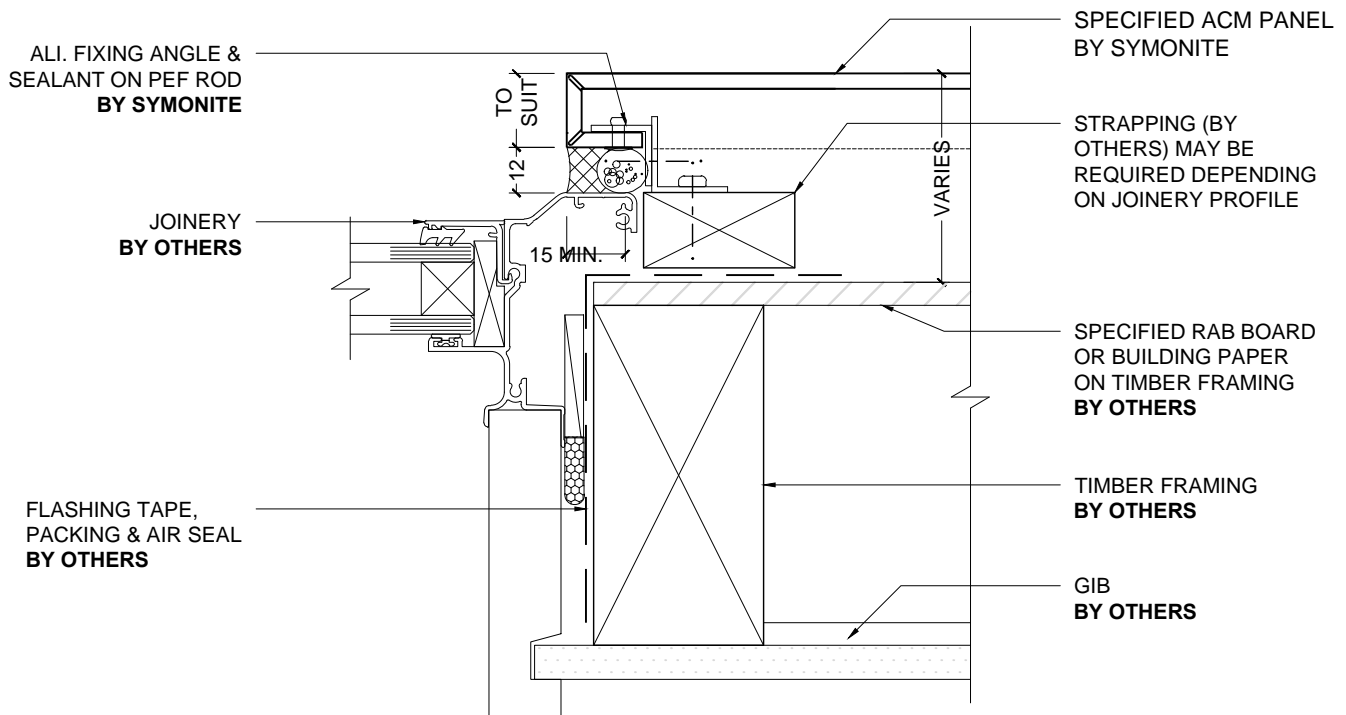


ALUMINIUM COMPOSITE CLADDING SYSTEM



1 HEAD DETAIL OPTION 2 (RESIDENTIAL JOINERY)
1:2 @ A4



2 JAMB DETAIL (RESIDENTIAL JOINERY)
1:2 @ A4