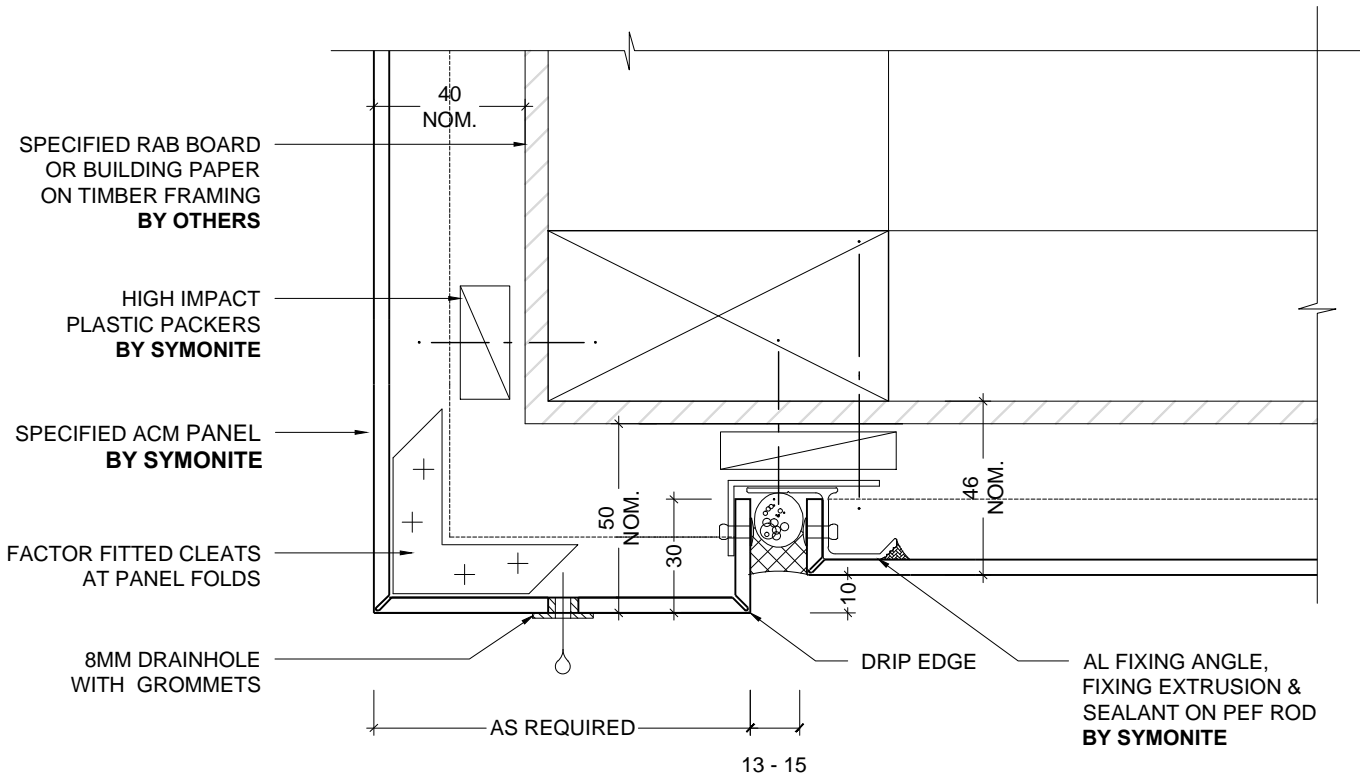
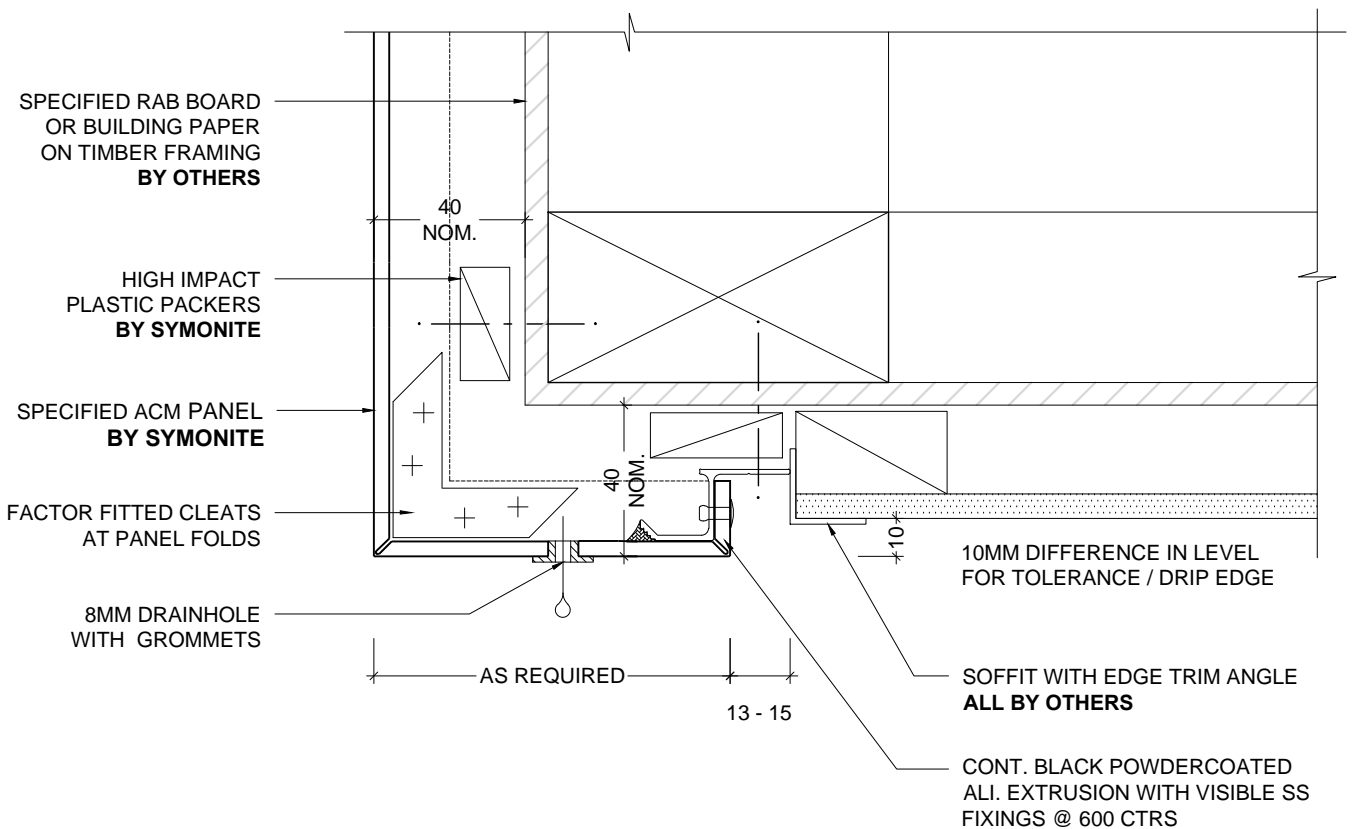


ALUMINIUM COMPOSITE CLADDING SYSTEM



1 DRIP EDGE DETAIL
1:2 @ A4



2 OPEN FLUSH SOFFIT JOINT
1:2 @ A4