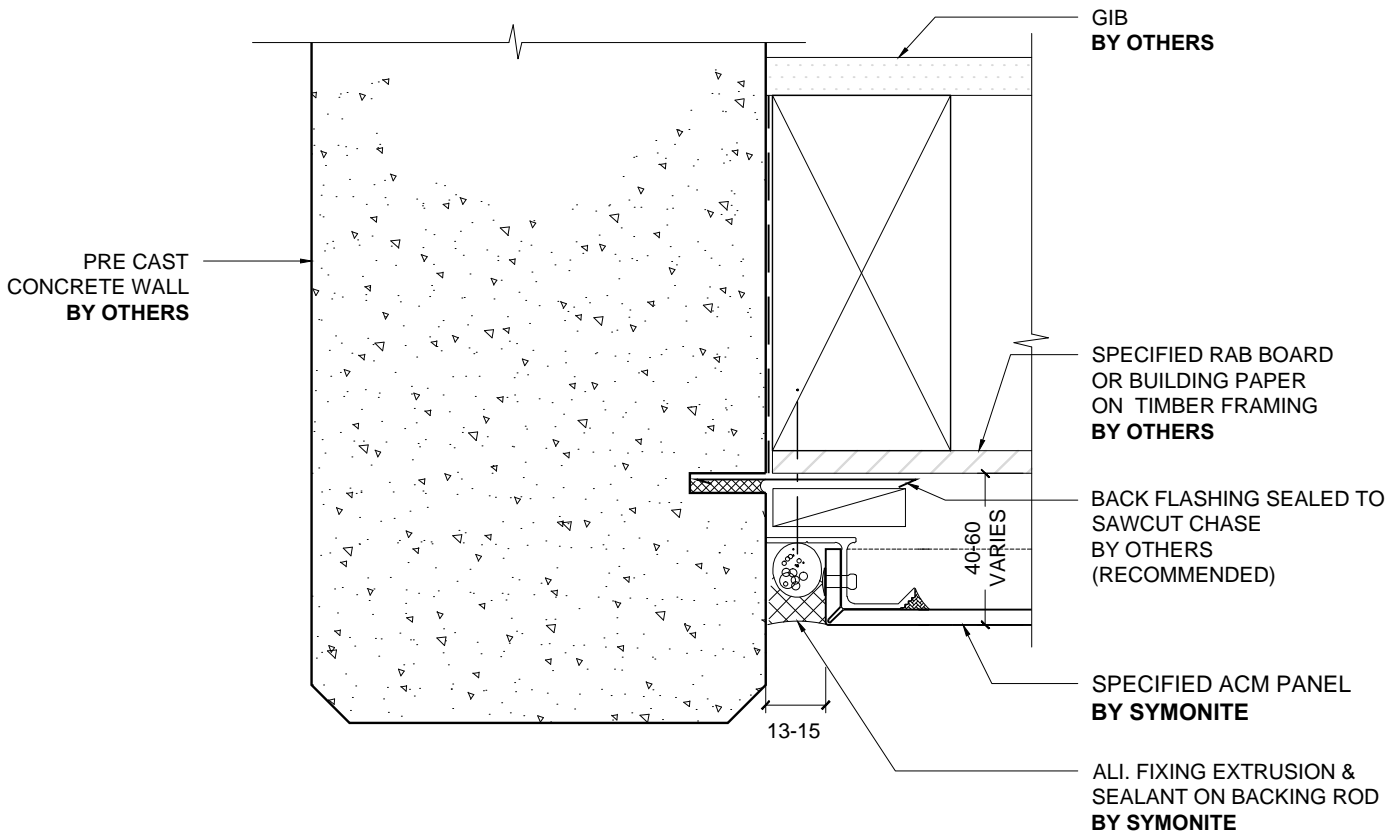


ALUMINIUM COMPOSITE CLADDING SYSTEM



NOTE: CHASED FLASHING IS RECOMMENDED AT ALL VERTICAL CONCRETE JUNCTION DETAILS. IT IS THE BUILDING DESIGNERS RESPONSIBILITY TO CHECK WITH APPLICABLE LOCAL BUILDING AUTHORITY AS TO WHETHER THIS IS REQUIRED

1 DETAIL AT PRE CAST CONCRETE WALL
 - 1:2 @ A4