

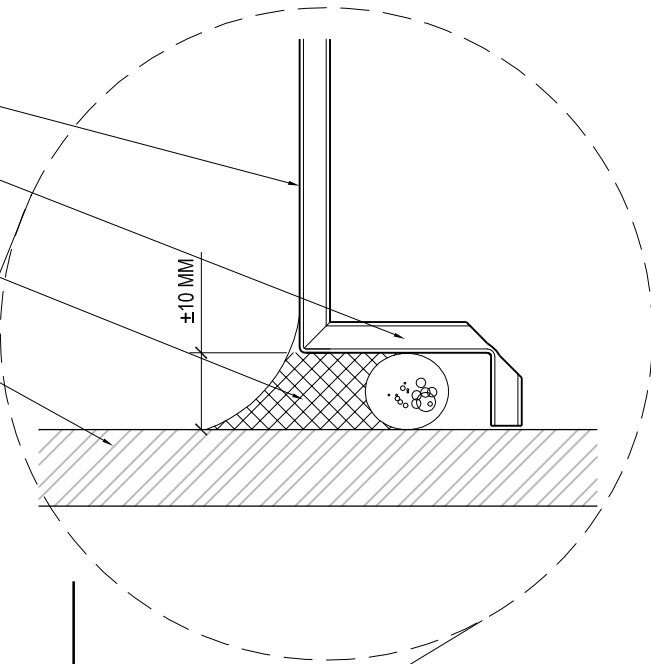
ROUT AND RETURN SYSTEM

SPECIFIED ACM BY SYMONITE

SERRATED STANDARD ACM LEG BY SYMONITE

SEALANT ON PEF ROD BY SYMONITE

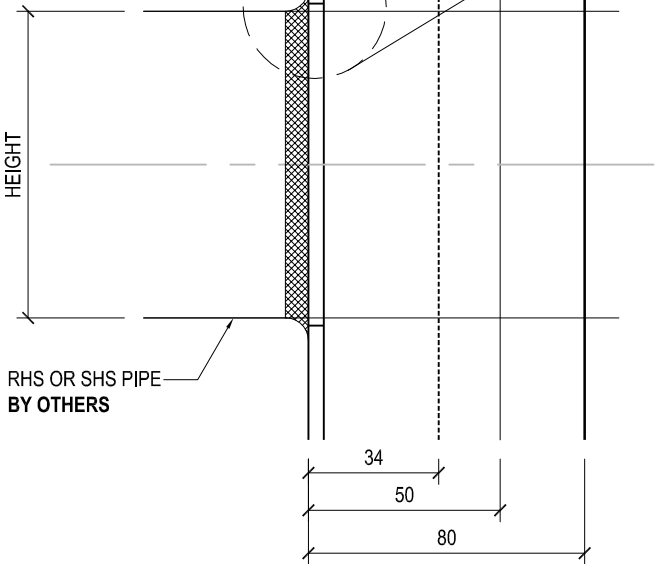
RHS OR SHS PIPE BY OTHERS



EXISTING BUILDING LINE

SPECIFIED ACM BY SYMONITE

TOPHAT LINE

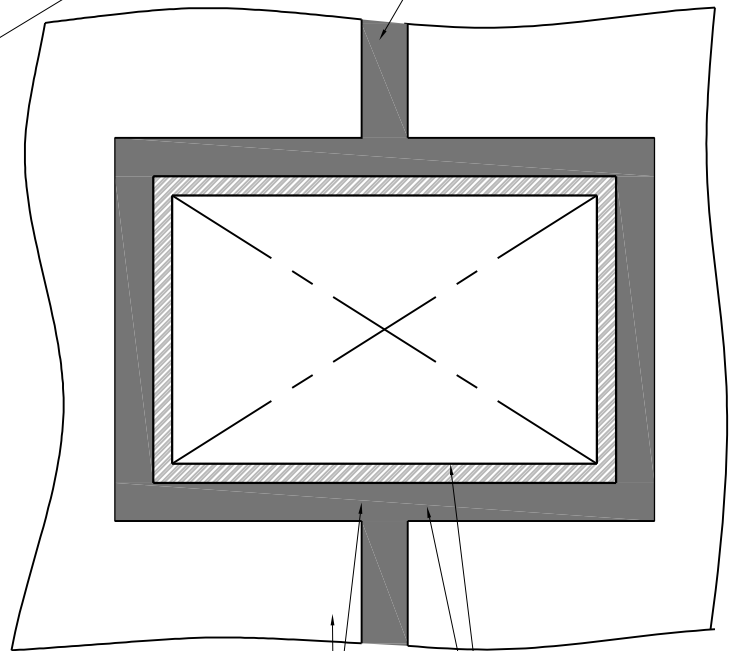


RHS OR SHS PIPE BY OTHERS

34
50
80

OUTSIDE SIDE ELEVATION INSIDE

15MM STANDARD JOINT BY SYMONITE



SPECIFIED ACM BY SYMONITE

SERRATED STANDARD ACM LEG BY SYMONITE

RHS OR SHS PIPE BY OTHERS

SEALANT ON PEF ROD BY SYMONITE

BACK ELEVATION



DRAWING TITLE

STANDARD PENETRATION (RHS OR SHS PIPE SECTION)

DRAWING STATUS

ARCHITECTURAL RESOURCE

SHEET NO.	ISSUE
38	A

SCALE: 1:2

DATE: DECEMBER 2014