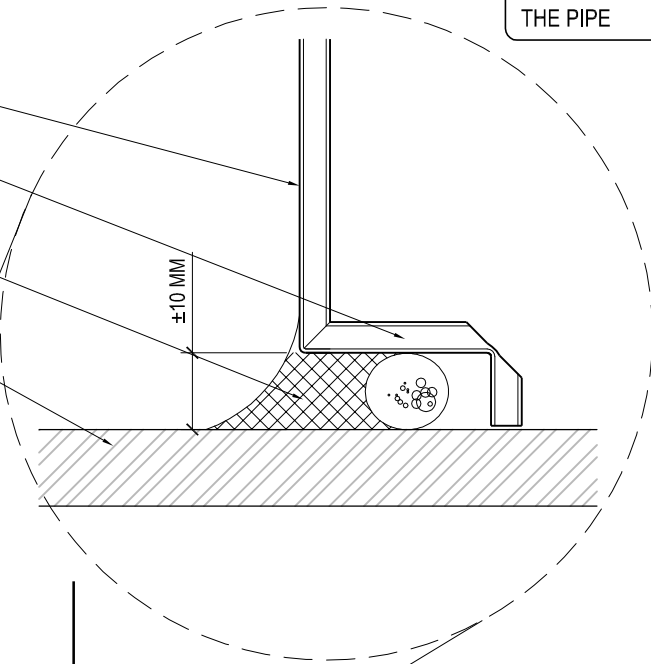


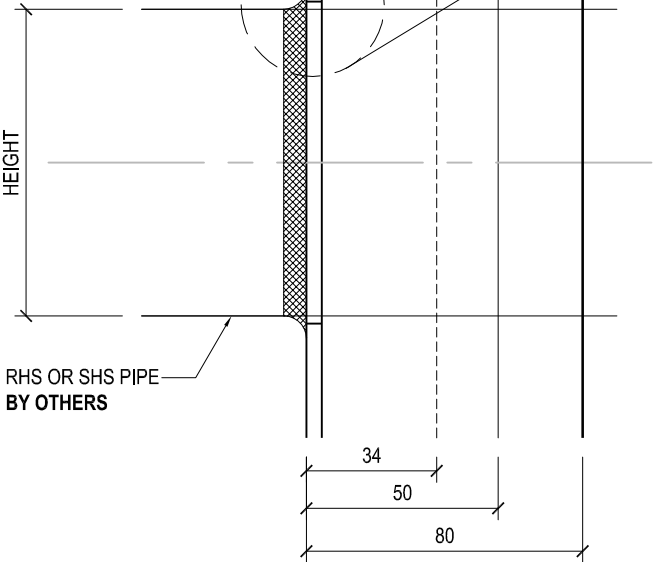
**ROUT AND RETURN SYSTEM**

**NOTE**  
THIS DETAIL CAN ONLY BE USED WHERE THE PANEL CAN BE SLID OVER THE PIPE

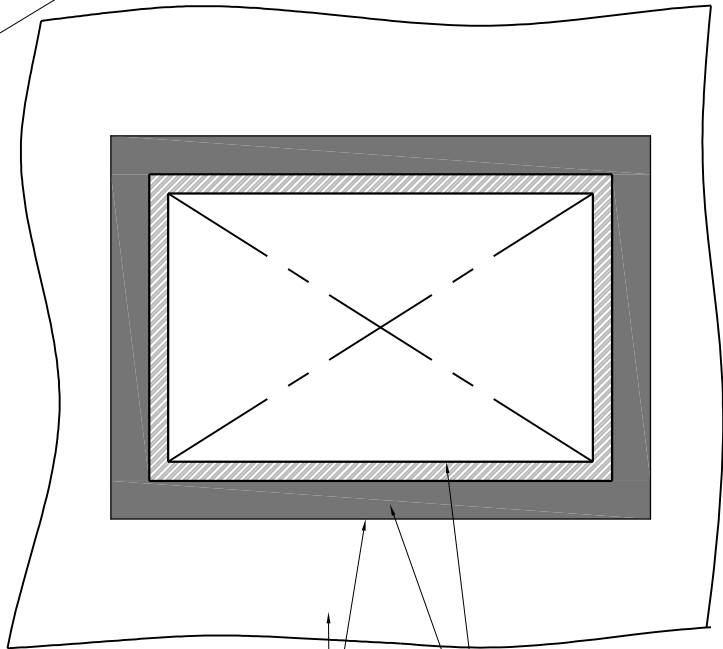
- SPECIFIED ACM BY SYMONITE
- SERRATED STANDARD ACM LEG BY SYMONITE
- SEALANT ON PEF ROD BY SYMONITE
- RHS OR SHS PIPE BY OTHERS



- EXISTING BUILDING LINE
- SPECIFIED ACM BY SYMONITE
- TOPHAT LINE



OUTSIDE SIDE ELEVATION INSIDE



- SPECIFIED ACM BY SYMONITE
- SERRATED STANDARD ACM LEG BY SYMONITE
- RHS OR SHS PIPE BY OTHERS
- SEALANT ON PEF ROD BY SYMONITE

BACK ELEVATION



<b>DRAWING TITLE</b>	<b>DRAWING STATUS</b>
STANDARD PENETRATION (RHS OR SHS PIPE SECTION)	ARCHITECTURAL RESOURCE
	SCALE: 1:2

<b>SHEET NO.</b>	<b>ISSUE</b>
37	A
<b>DATE:</b> DECEMBER 2014	