

ROUT AND RETURN SYSTEM

NOTE
THIS DETAIL CAN ONLY BE USED WHERE THE PANEL CAN BE SLID OVER THE PIPE

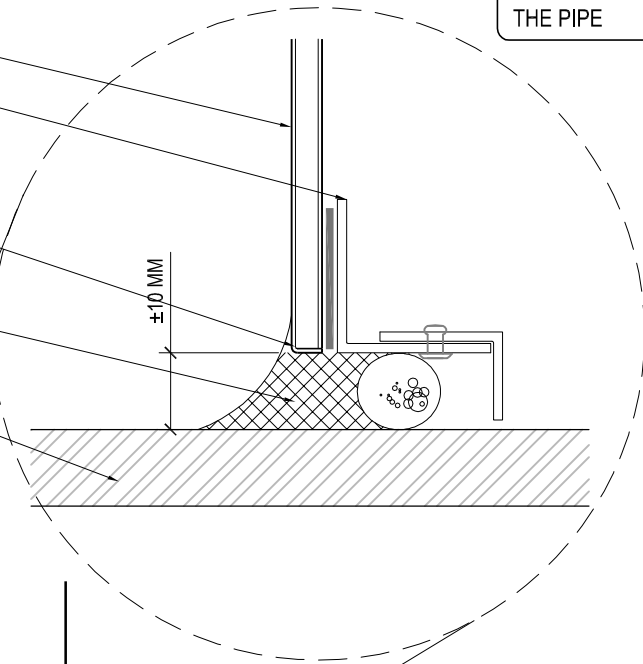
SPECIFIED ACM BY SYMONITE

SERRATED ALUMINIUM ANGLE STRUCTURALLY GLUED FIXED WITH 3M VHB DOUBLE SIDED TAPE BY SYMONITE

SPECIFIED ACM ROLLED EDGE FINISH BY SYMONITE ALL AROUND PENETRATION

SEALANT ON PEF ROD BY SYMONITE

PIPE BY OTHERS



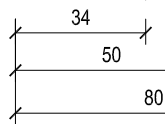
EXISTING BUILDING LINE

SPECIFIED ACM BY SYMONITE

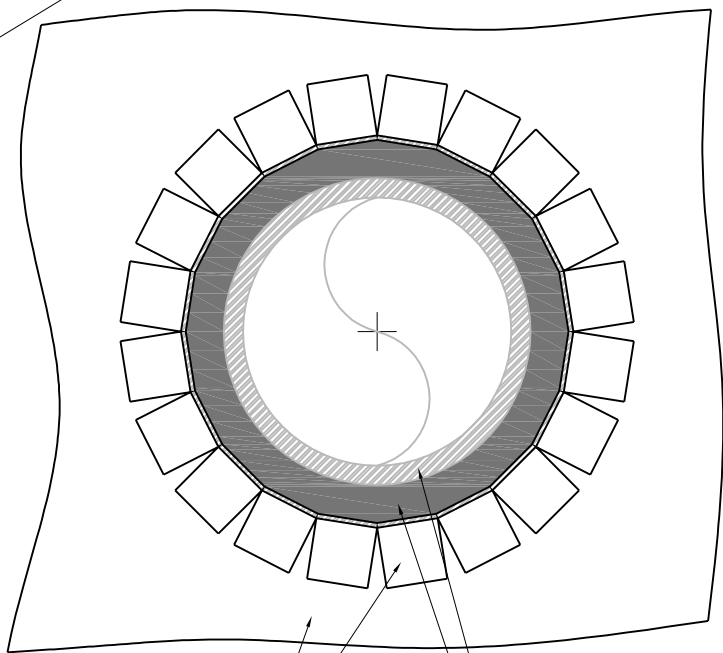
TOPHAT LINE

PIPE MIN 80MMØ

PIPE BY OTHERS



OUTSIDE SIDE ELEVATION INSIDE



SPECIFIED ACM BY SYMONITE

SERRATED ALUMINIUM ANGLE STRUCTURALLY GLUED FIXED WITH 3M VHB DOUBLE SIDED TAPE BY SYMONITE

PIPE BY OTHERS

SEALANT ON PEF ROD BY SYMONITE

BACK ELEVATION



DRAWING TITLE

STANDARD PENETRATION (Minimum of 80 mm Ø)

DRAWING STATUS

ARCHITECTURAL RESOURCE

SHEET NO.	ISSUE
34	A

SCALE: 1:2

DATE: DECEMBER 2014