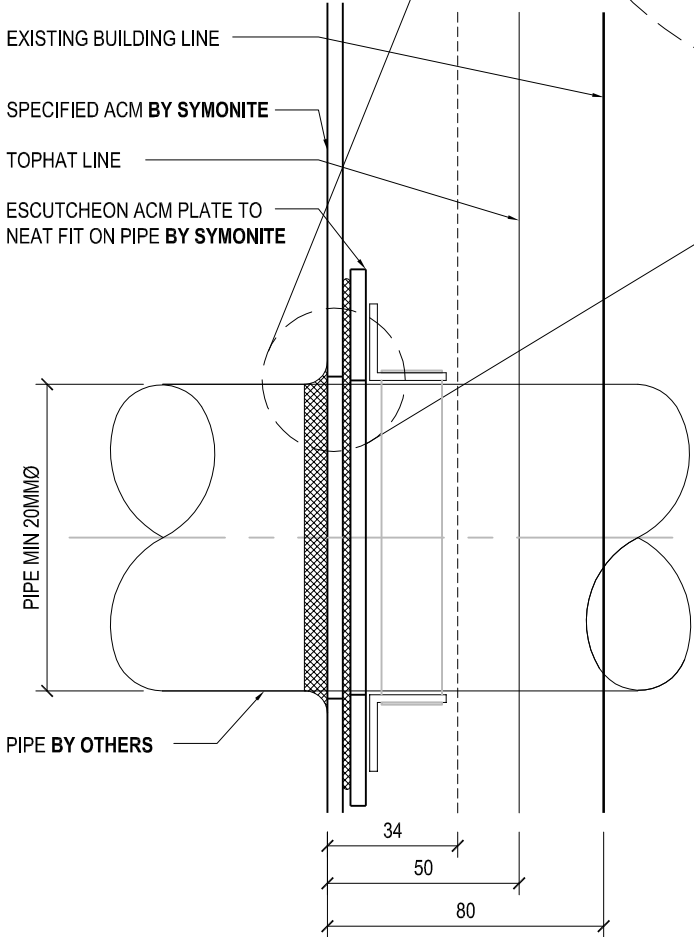
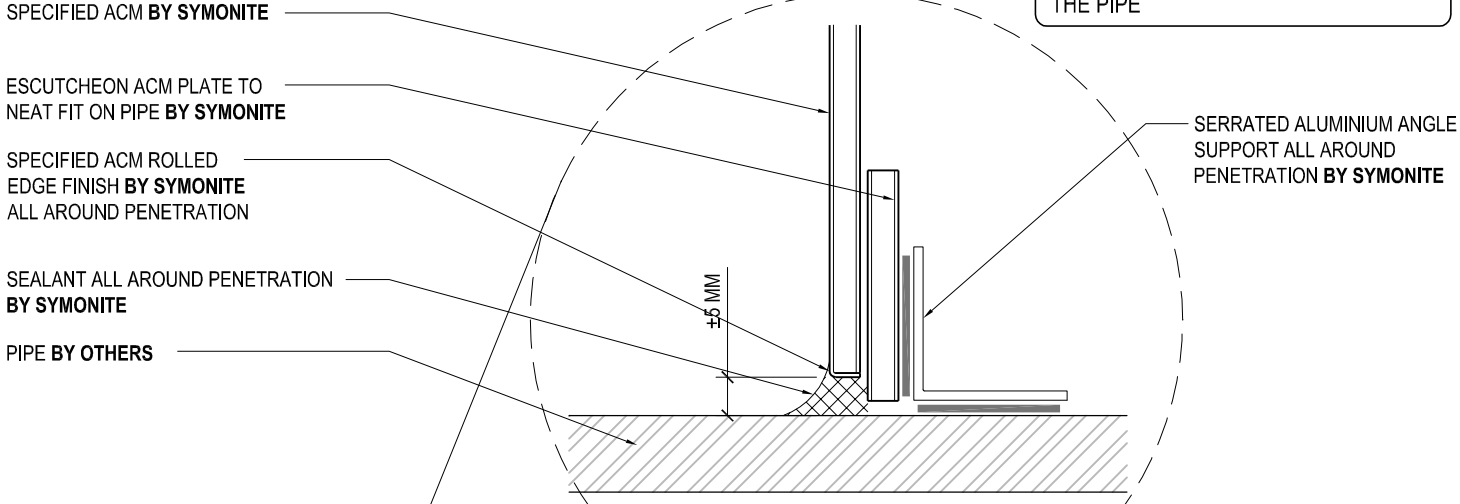
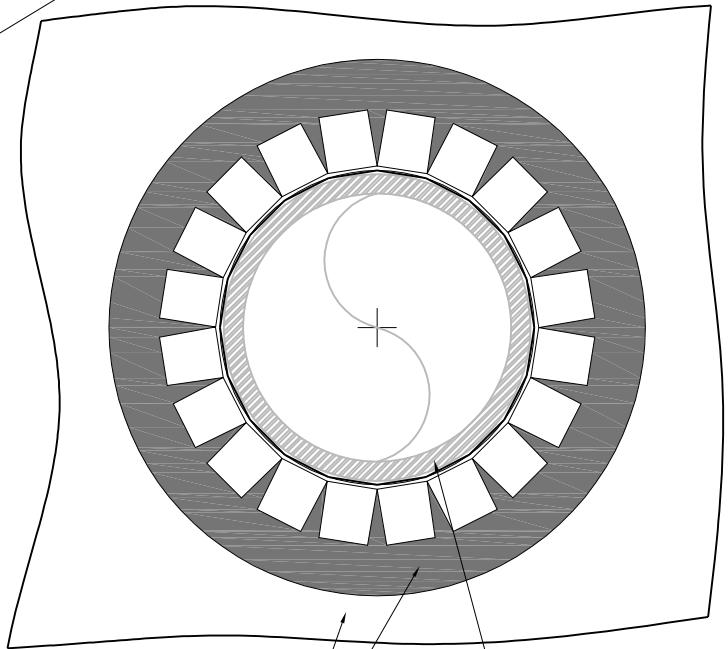


ROUT AND RETURN SYSTEM

NOTE
THIS DETAIL CAN ONLY BE USED WHERE THE PANEL CAN BE SLID OVER THE PIPE



OUTSIDE SIDE ELEVATION INSIDE



SPECIFIED ACM BY SYMONITE
ESCUTCHEON ACM PLATE TO NEAT FIT ON PIPE BY SYMONITE
PIPE BY OTHERS
BACK ELEVATION



DRAWING TITLE	DRAWING STATUS
STANDARD PENETRATION (Minimum of 20 mm Ø)	ARCHITECTURAL RESOURCE

SHEET NO.	ISSUE
33	A
SCALE: 1:2	DATE: DECEMBER 2014