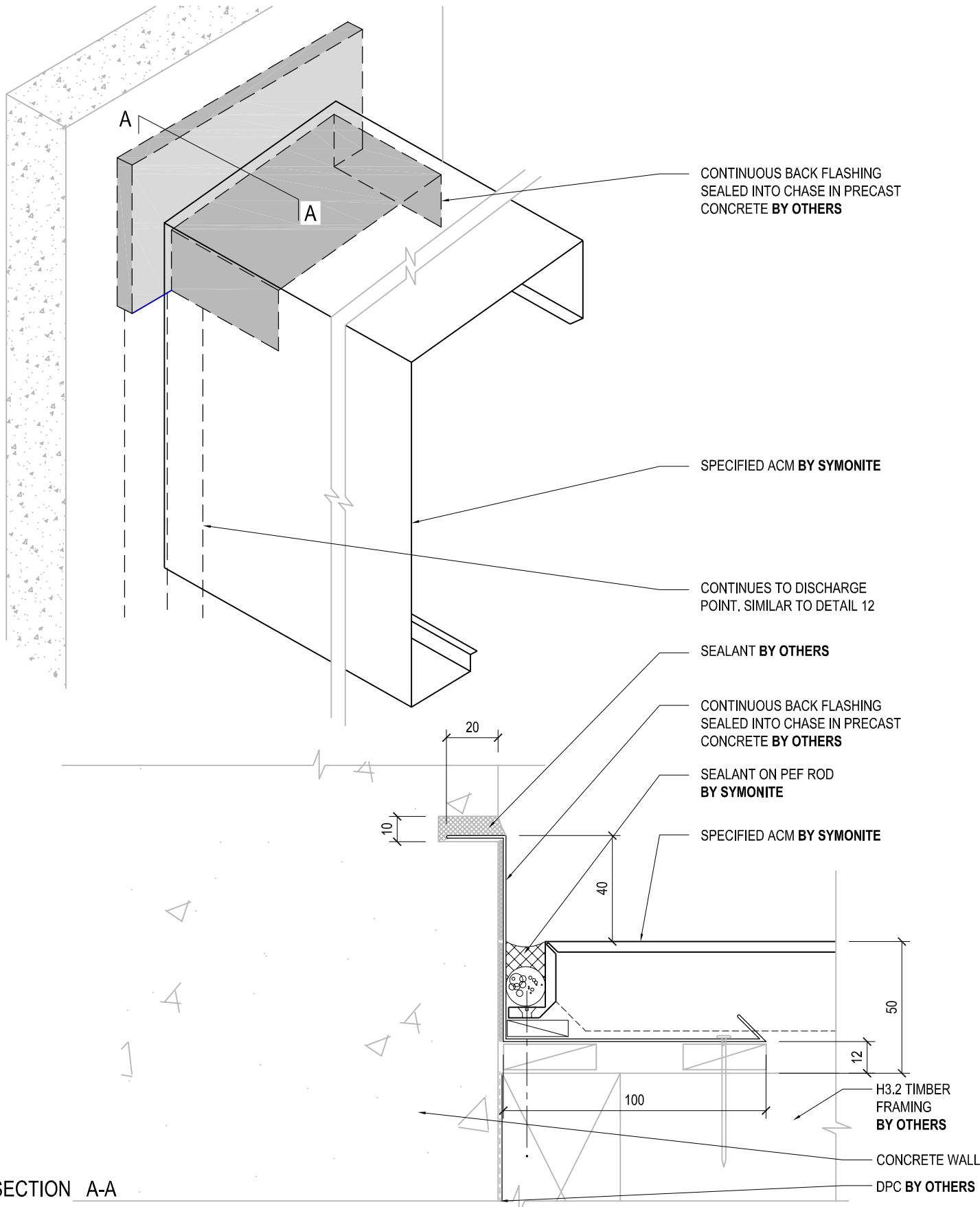


ROUT AND RETURN SYSTEM



SECTION A-A

NOTE

SYMONITE	DRAWING TITLE	DRAWING STATUS		SHEET NO.	ISSUE
	SADDLE FLASHING CHASED TO CONCRETE	ARCHITECTURAL RESOURCE		39	A
	SCALE: 1:2			DATE: DECEMBER 2014	

SYMONITE PANELS LIMITED, P.O.Box 101 760, North Shore, Auckland, 72 Ellice Road, Glenfield, Auckland, New Zealand, Telephone 09 443 3896, Facsimile 09 444 2142, Web Site www.symonite.co.nz
 Copyright of this drawing shall remain the property of SYMONITE PANELS LTD. No part of this document may be reproduced or transmitted by any means without the prior permission in writing of SYMONITE PANELS LTD.