

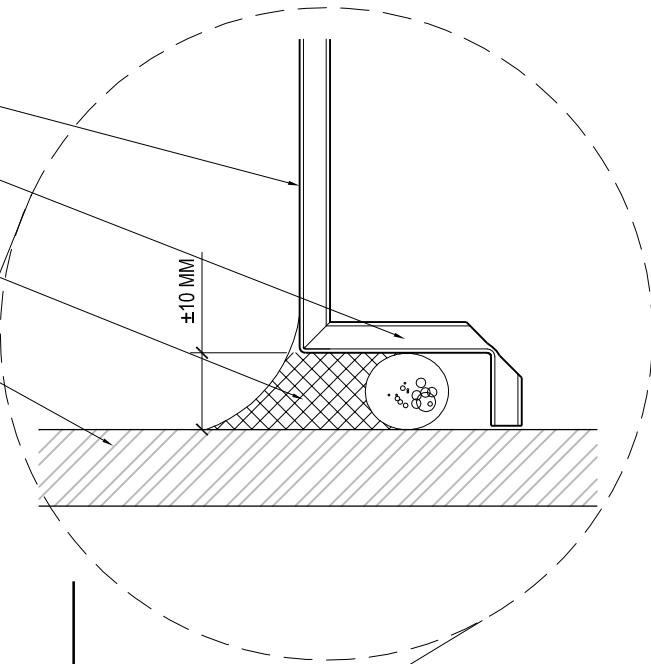
ROUT AND RETURN SYSTEM

SPECIFIED ACM BY SYMONITE

SERRATED STANDARD ACM LEG BY SYMONITE

SEALANT ON PEF ROD BY SYMONITE

PIPE BY OTHERS



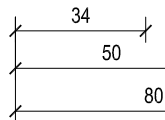
EXISTING BUILDING LINE

SPECIFIED ACM BY SYMONITE

TOPHAT LINE

PIPE MIN 200MMØ

PIPE BY OTHERS

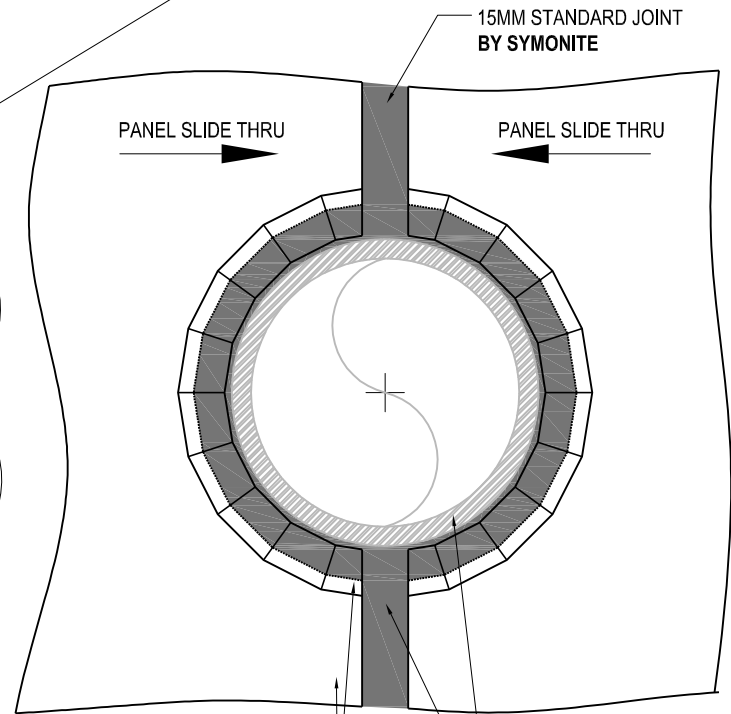


OUTSIDE SIDE ELEVATION INSIDE

15MM STANDARD JOINT BY SYMONITE

PANEL SLIDE THRU

PANEL SLIDE THRU



SPECIFIED ACM BY SYMONITE

SERRATED STANDARD ACM LEG BY SYMONITE

PIPE BY OTHERS

SEALANT ON PEF ROD BY SYMONITE

BACK ELEVATION



DRAWING TITLE

STANDARD PENETRATION (Minimum of 200 mm Ø)

DRAWING STATUS

ARCHITECTURAL RESOURCE

SHEET NO.

36

ISSUE

A

SCALE: 1:2

DATE: DECEMBER 2014